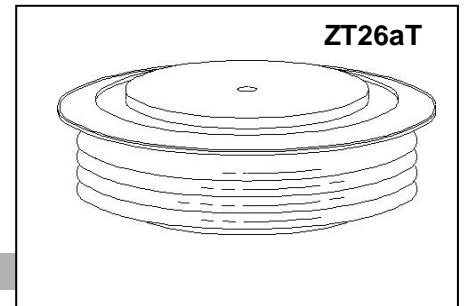




GENERAL PURPOSE HIGH POWER STANDARD RECTIFIER

Features:

- . All diffused structure
- . High surge rating
- . Blocking capability up to 3500 volts
- . Ceramic housing hermetic package
- . Pressure assembled device



ELECTRICAL CHARACTERISTICS AND RATINGS

Reverse Blocking

Device Type	V _{DRM} (1)	V _{RSM} (1)
ZP200-25	2500	2700
ZP200-26	2600	2800
ZP200-28	2800	3000
ZP200-30	3000	3200
ZP200-32	3200	3400
ZP200-35	3500	3700

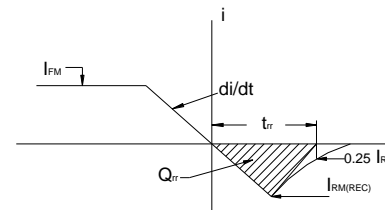
V_{RRM} = Repetitive peak reverse voltage
 V_{RSM} = Non repetitive peak reverse voltage (2)

Repetitive peak reverse leakage current	I _{RRM}	2 mA 30 mA (3)
---	------------------	-------------------

Notes:

All ratings are specified for T_j=25 °C, unless otherwise stated

- (1) All voltage ratings are specified for an applied 50Hz/60Hz sinusoidal waveform over the temperature range 0 to +150 °C.
- (2) 10 msec. max. pulse width
- (3) Maximum value for T_j = 150 °C.
- (4) See parameter definition below :



REVERSE RECOVERY CHARACTERIST

Conducting - on state

Parameter	Symbol	Min.	Max.	Typ.	Units	Conditions
Average forward current	I _{F(AV)}		200		A	Sinewave 180°, T _c = 100°C
RMS forward current	I _{FRMS}		314		A	Nominal value
Peak one cycle surge (non repetitive) current	I _{FSM}		2800		A	10 msec (50Hz), sinusoidal wave-shape, 180° conduction, T _j = 150 °C
I square t	I ² t		4 × 10 ⁴		A ² s	10 msec
Peak forward voltage	V _{FM}		1.55		V	I _{FM} = 600A; T _j = 25°C
Threshold voltage	V _{FO}		0.88		V	T _j = 150°C, I = 0.5 π I _{F(AV)} to 1.5 π I _{F(AV)}
Slope resistance	r _F		0.80		mΩ	T _j = 150°C, I = 0.5 π I _{F(AV)} to 1.5 π I _{F(AV)}
Reverse Recovery Current (4)	I _{RM(REC)}				A	I _{FM} = 500 A; di/dt = -10 A/s; T _{jmax}
Reverse Recovery Charge (4)	Q _{rr}			1500	μC	I _{FM} = 500 A; di/dt = -10 A/s; T _{jmax}
Reverse Recovery Time (4)	t _{rr}				μs	I _{FM} = 500 A; di/dt = -10 A/s; T _{jmax}

Parameter	Symbol	Min.	Max.	Typ.	Units	Conditions
Operating temperature	T_j	-40	+150		°C	
Storage temperature	T_{stg}	-40	+150		°C	
Thermal resistance - junction to case	$R_{\Theta(j-c)}$		0.08		°C/W	Double sided cooled
Thermal resistance - case to heatsink	$R_{\Theta(c-s)}$		0.02		°C/W	Double sided cooled
Mounting force	P	3.5	4.5	4	kN	
Weight	W			0.06	kg.	

* Mounting surfaces smooth, flat and greaseless

CASE OUTLINE AND DIMENSIONS

